

POLARIZED HVAC FILTER COLLECTOR PAD REPLACEMENT

Collector Pad Replacement Instructions

1. Turn off the power on the HVAC system.
2. Open the air handler filter access door.
3. Unplug the 24 volt power-cord (Fig. 1) and remove the PLP from the filter slot
4. Clean heavy accumulated dust on the outside screen with a vacuum.
5. Open the PLP (Fig. 2) and remove the old Collector Pad and discard it.
6. Insert new Collector Pad, electrode slides into plastic tube inside Pad (Fig. 3).
7. Close the Air Cleaner and plug the 24 volt power cord into the power head.
8. Restore HVAC system power.

NOTE: You may hear a little snapping noise at the beginning. This is normal because of variations in temperature and humidity. This noise should cease after a few hours of operation. If the noise persists, contact your HVAC service company.

PERIODICAL OPERATION MAINTENANCE: Your collector pad should last 2 to 4 months, depending on the amount of air pollutants and fan usage. For maximum effectiveness of the PLP, we recommend that the fan control on the thermostat be in the "ON" position.

WARNING: Failure to change the collector pad on a regular basis will result in a reduction of air flow through the HVAC system. This can cause short cycling of your air handler system and may cause damage to your equipment.

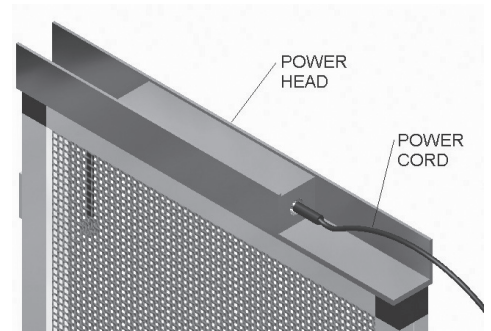


Fig. 1 Power Cord

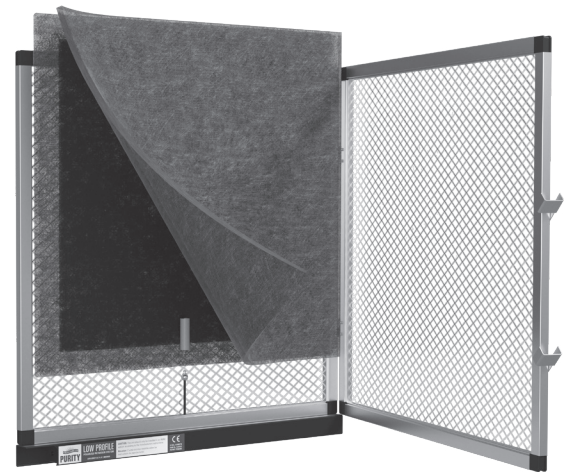


Fig. 2 Open PLP frame

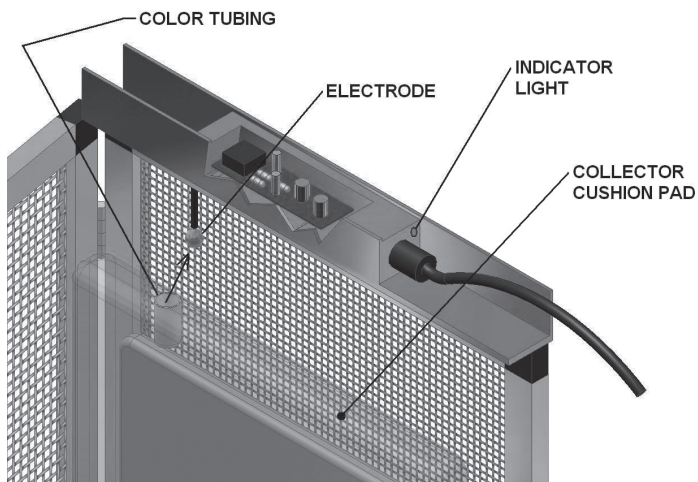


Fig. 3 Slide plastic tube (inside media) over electrode